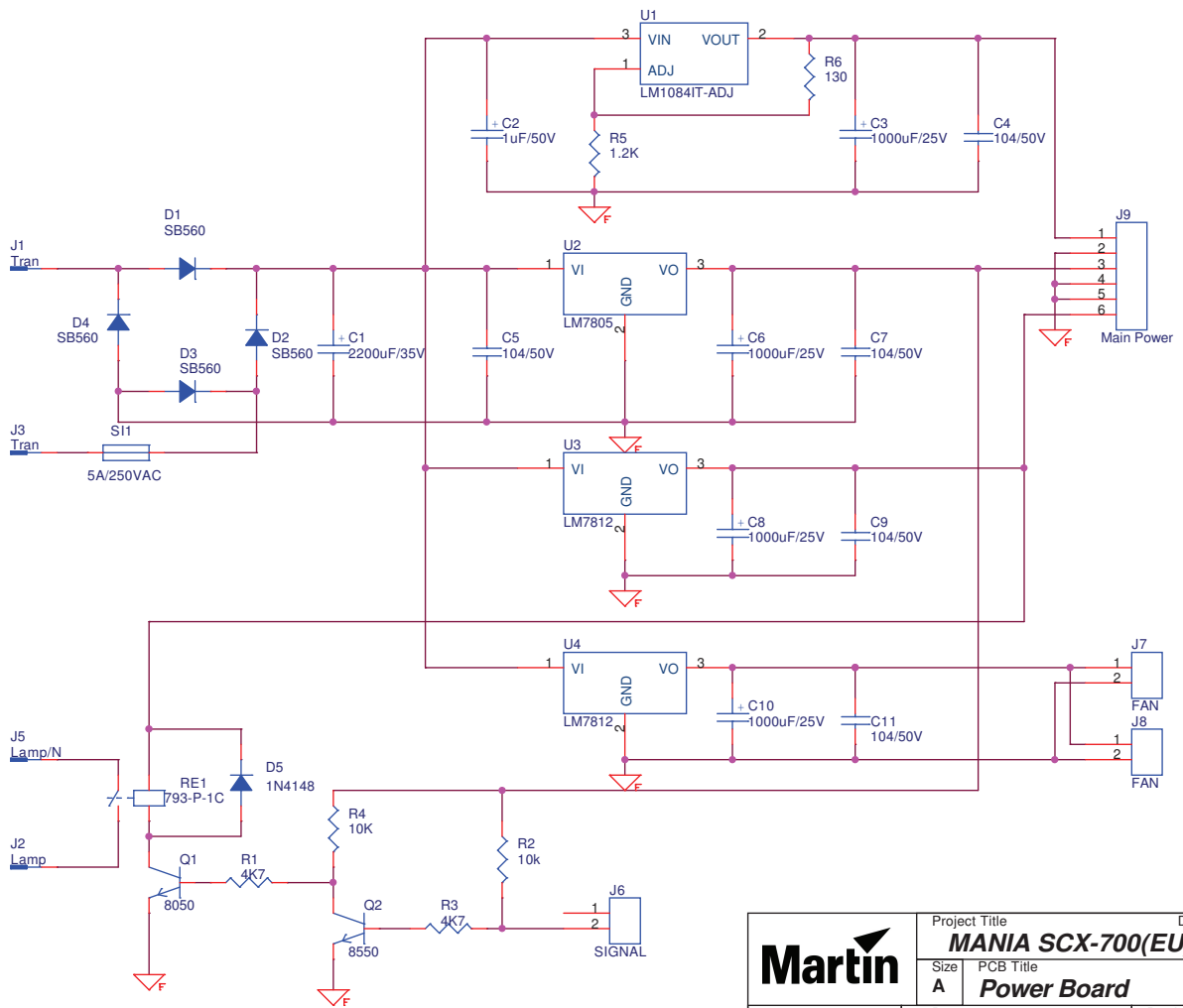
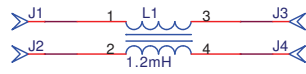


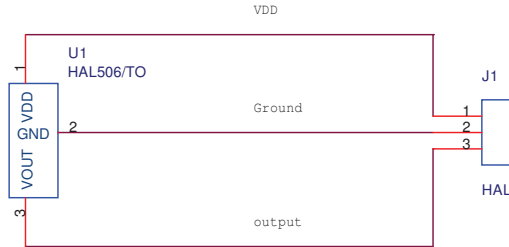
Martin	Project Title		Drawn By	
	MANIA SCX600 /SCX700		LOS	
	Size	PCB Title	Rev	
A3	SCX600 Display	A		
Date:		Product Bsn Number		
Wednesday, March 30, 2015		62000508-A		
Sheet 1 of 1				



Martin	Project Title		Drawn By	
	MANIA SCX-700(EU)		BS	
Size	PCB Title		Rev	
A	Power Board		B	
Date:		Product Baan Number		
Monday, September 12, 2005		62020076-B		
Sheet 1 of 1				



Martin	Project Title		Drawn By
	MANIA SCX800		BS
Size	PCB Title		Rev
A	Filter PCBA		A
Date:		Product Baan Number	
Thursday, November 08, 2007		62009516	
Sheet 1 of 1			



Martin	Project Title MANIA SCX500/EFX500		Drawn By HJ
	Size A	PCB Title Hall Sensor Board	Rev A
Date: Monday, April 18, 2005		Product Baan Number 62000111	
Sheet 1 of 1		2	

